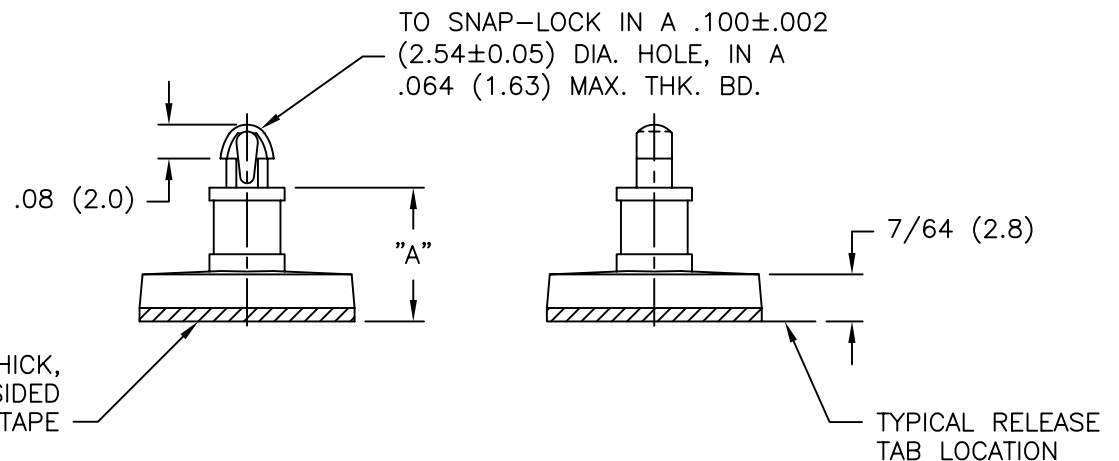


PART NO.	DIM. "A" ±.015 (±0.4)
CBSBT-3-01A-RT	3/16 (4.76)
CBSBT-4-01A-RT	1/4 (6.35)
CBSBT-5-01A-RT	5/16 (7.94)
CBSBT-6-01A-RT	3/8 (9.53)
CBSBT-7-01A-RT	7/16 (11.11)
CBSBT-8-01A-RT	1/2 (12.70)
CBSBT-9-01A-RT	9/16 (14.29)
CBSBT-10-01A-RT	5/8 (15.88)



NOTES:

- MAT'L: NYLON 6/6 (RMS-01).  
FLAME RETARDANT, NYLON (RMS-19),  
AVAILABLE BY SPECIAL ORDER ONLY.
- COLOR: NATURAL.
- ACRYLIC ADHESIVE TAPE (RMS-15), WHITE LINER.  
PART ALSO AVAILABLE WITHOUT TAPE.  
TO ORDER REMOVE "A-RT" FROM PART NO.  
[SUBTRACT 1/32 (0.8) FROM "A" DIM]
- RUBBER BASED ADHESIVE TAPE (RMS-102),  
AVAILABLE BY SPECIAL ORDER ONLY.  
TO ORDER REPLACE "A-RT" WITH "A1-RT".

F SEE ECN #1286 FOR CHANGES SK 02.13.07			TITLE: CIRCUIT BOARD SUPPORT ON BASE, TEARDROP				DWG IN IN (MM)		FINAL	
E UPDATED NOTES AND CHANGED FILE NO. SM 05.08.02			TOLERANCES UNLESS NOTED		FILE # CBSBT	DWN: P.B.	APP:		PART #	PRINT TYPE
D MAT'L RMS-19 ADDED J.L. 12.18.97			.XX=±.010		MAT'L: SEE NOTES	DT: 02-27-95	DT:			
C "A" IN P/N ADDED; SNAP-LOCK DIM CHANGED PB 07.13.95			.XXX=±.005		RE: RICHCO, INC.	RICHCO INC.		SEE TABLE		CA
B CONVERTED TO ACAD PB 02.27.95			FRAC=±1/64		PO BOX 804238, CHICAGO, 60680					
A "RT" IN P/N ADDED RS 01.08.92			ANG=±1°		(773) 539-4060					
REV DESCRIPTION ENGR DATE										